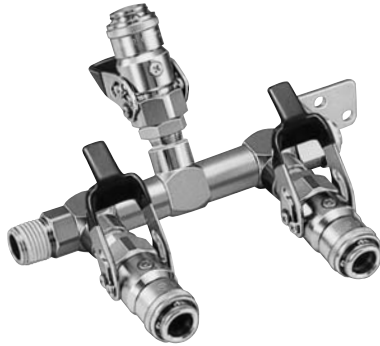


For Air

# Purge Line Cupla

Simple air line coupling manifold with residue pressure release function

Working pressure <b>1.0</b> 1.0 MPa (10 kgf/cm <sup>2</sup> )	Valve structure  One-way shut-off	Applicable fluid  Air
--	---	-----------------------------



## Residual pressure released by a mere lever turn. Very smooth Cupla connection / disconnection!

- Single action, just push in the plug to connect.
- No noise of discharge air and no kick back on disconnection for safety operation.
- Extremely smooth connection. Easy handling, not affected by in-line pressure.
- Safe design – socket valve will not open or close unless plug is connected.
- Even after connection, a lever turn will open/close valve with perfect control of air flow or line shut-off.
- Enables simultaneous air supply to three outlets from a single air line.

(A single outlet Purge Hi Cupla is also available – see the pages of Purge Hi Cupla for details.)

### Specifications

Body material	Brass (Chrome-plated)			
Size	Inlet	R 1/2		
	Outlet	3/8" socket (PV-30SM)		
Working pressure MPa (kgf/cm <sup>2</sup> )	1.0 {10}			
Pressure resistance MPa (kgf/cm <sup>2</sup> )	1.5 {15}			
Seal material	Seal material	Mark	Working temperature range	Remarks
Working temperature range	Nitrile rubber	NBR (SG)	-5°C~+60°C	Standard material

### Max. Tightening Torque

N·m (kgf·cm)

30 (306)

### Flow Direction

Fluid must run from the intake port to the outlet ports. Please refer to the flow directions (arrows) on the "Models and Dimensions" on the right.

### Interchangeability

Can be connected with plugs of Hi Cupla Models 20, 30 and 40. Interchangeable with each corresponding Hi Cupla Series models.

### Min. Cross-Sectional Area

(mm<sup>2</sup>)

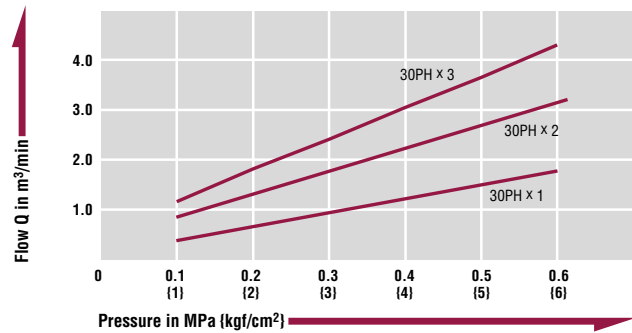
41

### Suitability for Vacuum

Not suitable for vacuum application in either connected or disconnected condition.

### Pressure - Flow Characteristics

[Test conditions] • Fluid : Air • Temperature : Room temperature



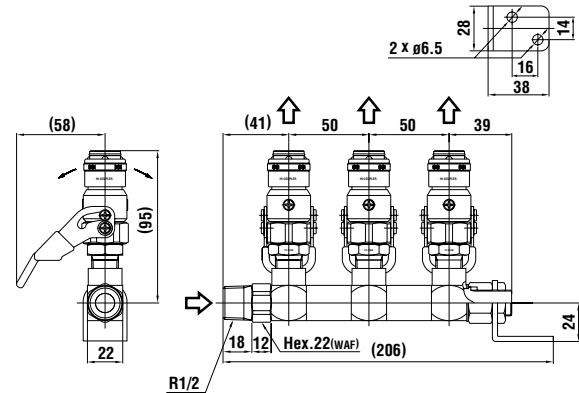
### Models and Dimensions

WAF : WAF stands for width across flats.

### Socket RE-PV-30 type (For three outlets)

Mass : 1,090g

- Fluid must run in the direction of the arrow.



Dimensions (mm)